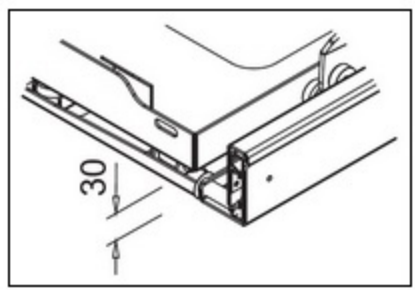


CLEARVIEW EASY SLIDE
BASE DIMENSIONS

IMPORTANT!

The Clearview Easy Slide base dimensions are critical in determining whether the Clearview Easy Slide will fit into your allocated space.

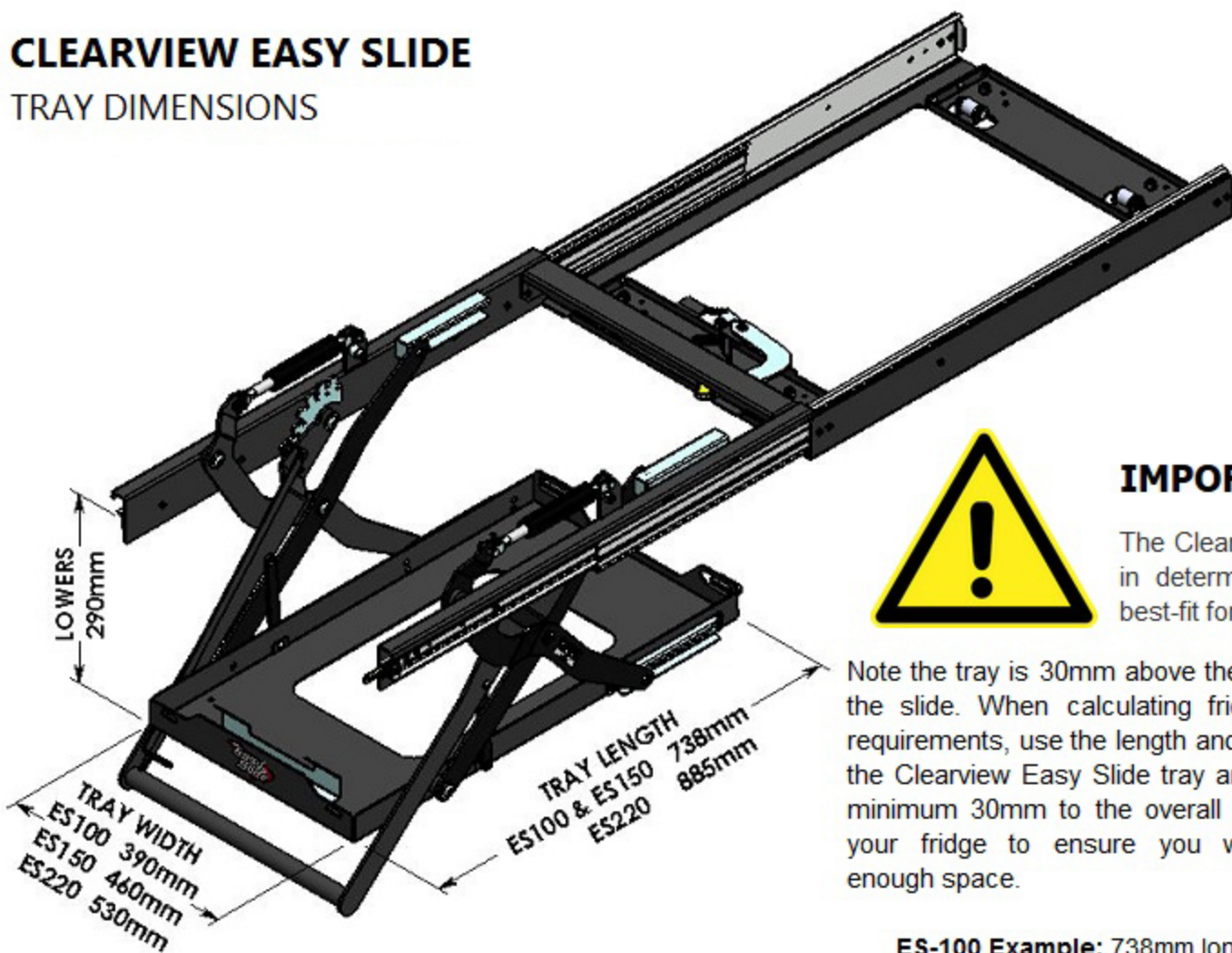
Note the tray is 30mm above the base of the slide. When calculating Clearview Easy Slide size requirements, use the length and width of the Clearview Easy Slide base and add a minimum 30mm to the overall height of your fridge to ensure you will have enough space.



- ES-100 Example:** 813mm long x 550mm wide x (fridge height + 30mm)
- ES-150 Example:** 813mm long x 620mm wide x (fridge height + 30mm)
- ES-220 Example:** 970mm long x 690mm wide x (fridge height + 30mm)

CLEARVIEW EASY SLIDE

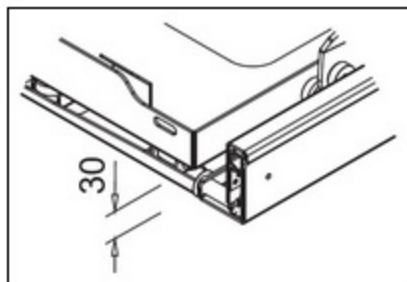
TRAY DIMENSIONS



IMPORTANT!

The Clearview Easy Slide tray dimensions are critical in determining which Clearview Easy Slide is the best-fit for your travel fridge.

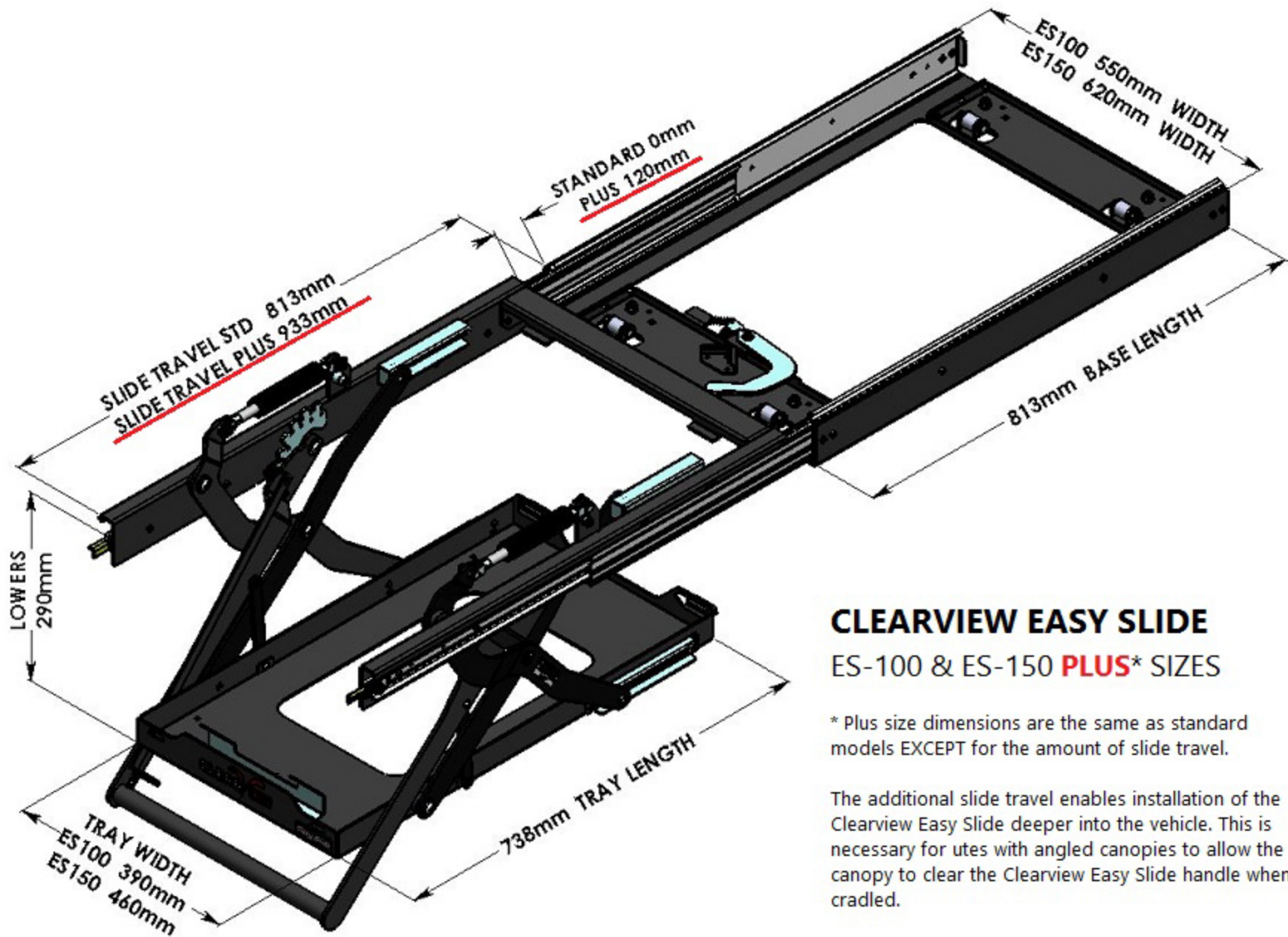
Note the tray is 30mm above the base of the slide. When calculating fridge size requirements, use the length and width of the Clearview Easy Slide tray and add a minimum 30mm to the overall height of your fridge to ensure you will have enough space.



ES-100 Example: 738mm long x 390mm wide x (fridge height + 30mm)

ES-150 Example: 738mm long x 460mm wide x (fridge height + 30mm)

ES-220 Example: 885mm long x 530mm wide x (fridge height + 30mm)



CLEARVIEW EASY SLIDE

ES-100 & ES-150 **PLUS*** SIZES

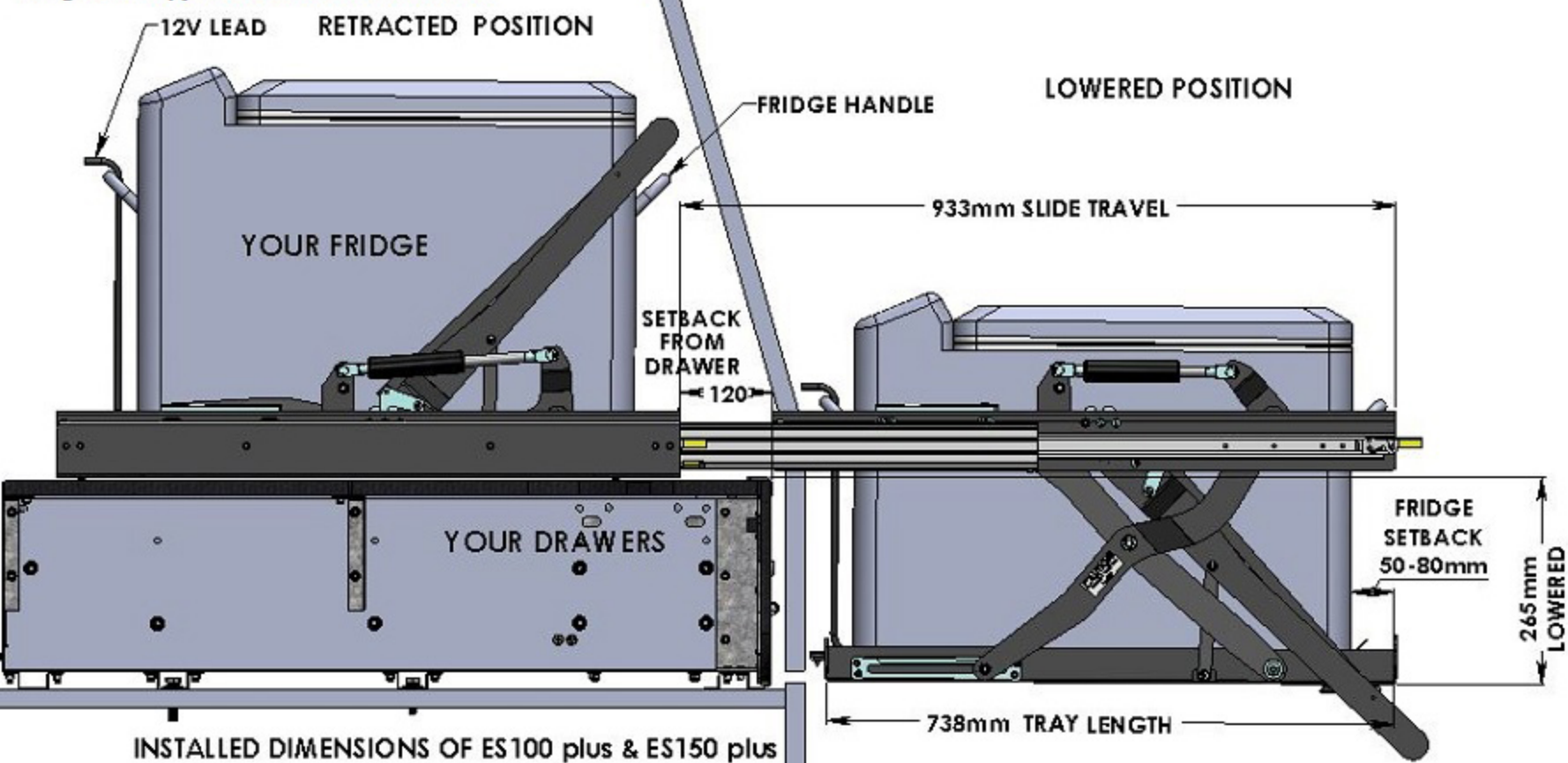
* Plus size dimensions are the same as standard models EXCEPT for the amount of slide travel.

The additional slide travel enables installation of the Clearview Easy Slide deeper into the vehicle. This is necessary for utes with angled canopies to allow the canopy to clear the Clearview Easy Slide handle when cradled.

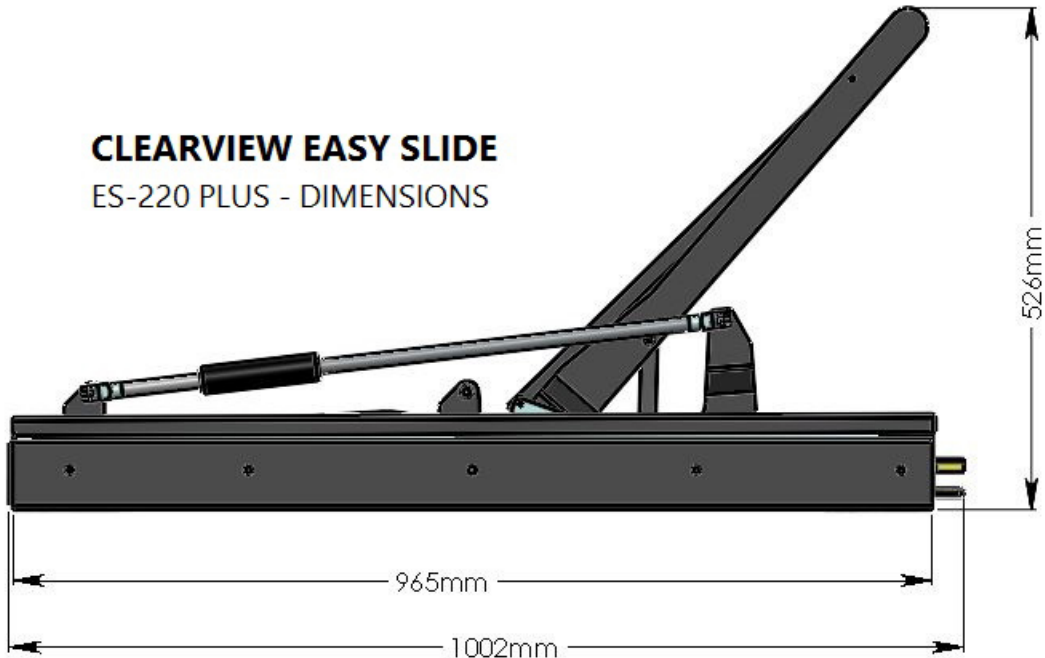
CLEARVIEW EASY SLIDE

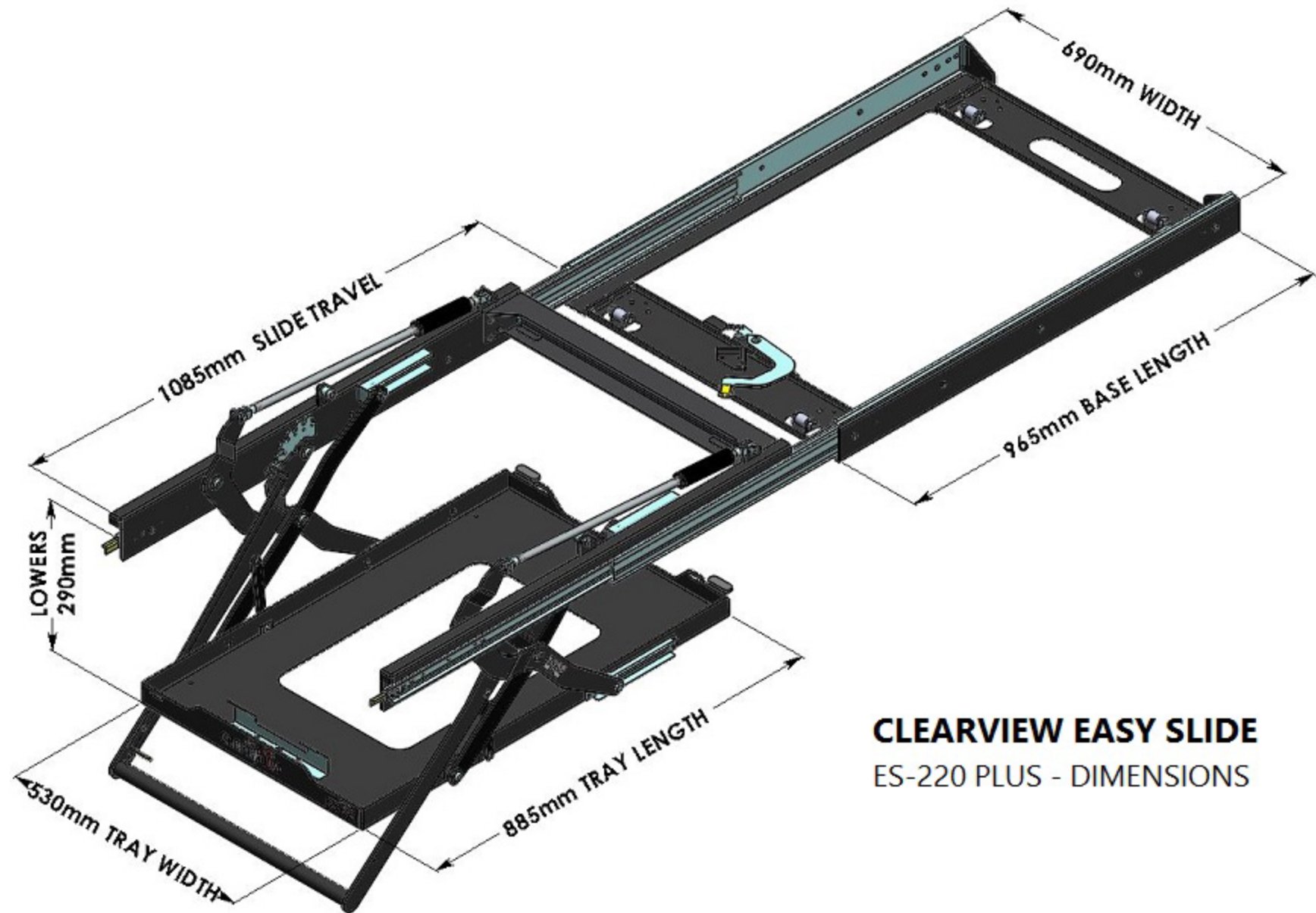
ES-100 & ES-150 PLUS

"Angled canopy installation demonstration"



CLEARVIEW EASY SLIDE
ES-220 PLUS - DIMENSIONS





CLEARVIEW EASY SLIDE
ES-220 PLUS - DIMENSIONS