



FITTING INSTRUCTIONS FOR

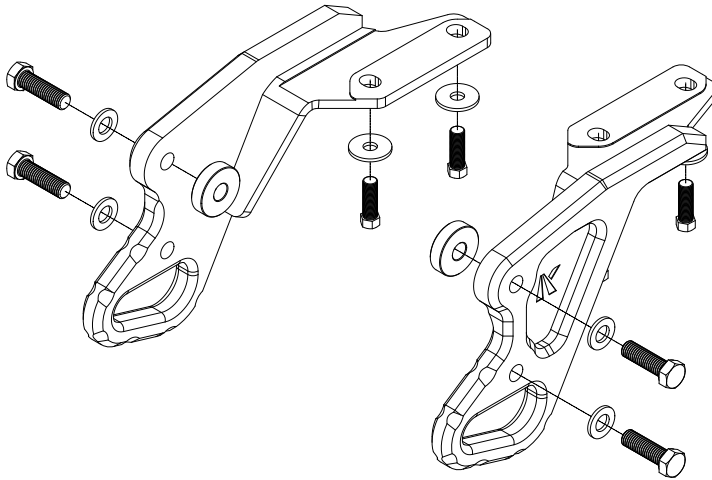
Recovery Tow Points

SKU

KS0346

COMPATIBILITY

Toyota HiLux N80 & AN150/160



Included contents

| QTY | COMPONENT | QTY | COMPONENT |
|-----|--------------------------------|-----|--------------------------------|
| 2 | Recovery Tow Point (LHS & RHS) | 4 | M12 x 1.25 x 50 Hex Bolt G10.9 |
| 2 | Round Spacer | 4 | M10 x 1.25 x 30 Hex Bolt G8.8 |
| 4 | M12 Nord-Lock Washer | 4 | M10 x 30 x 2.5 DIN Flat Washer |
| 2 | Warning Sticker | | |



Time

30 minutes / Half a beer

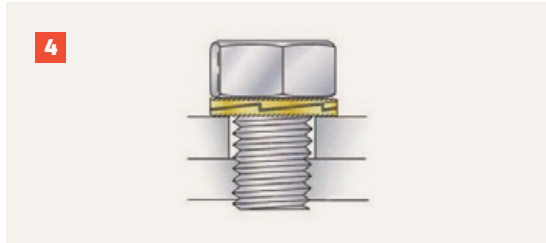
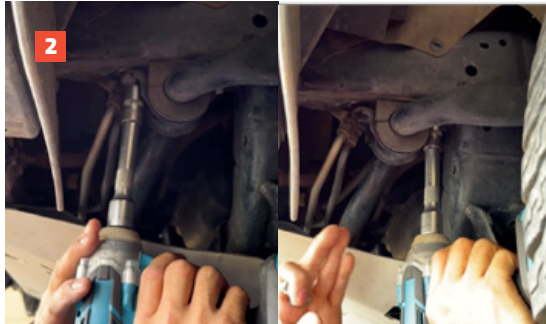
Scan the **QR code** to watch the video installation guide,
or for further information contact KAON on **07 3180 1470** or info@kaon.com.au



Let's get to work.

Preparation

1. To access the mounting points, remove the factory plastic splash guards.
2. The Recovery Points use a chassis mounting point underneath the sway bar mounts. We recommend removing the sway bar bolts on both sides, which allows plenty of room for the Recovery Point to be installed.
3. Ensure mating surfaces are clean and flat. We recommend applying some anti-seize compound to the holes prior to fitting your new recovery points.
4. Place the Nord-Lock washers over the bolts. If the Nord-Lock washers have separated during transit ensure that the wedge ramps are mating as per the picture.



Installation

1. Identify the correct orientation for each point.
2. Place the provided spacer behind the top front mount on the Recovery Point. Lift the point into position, ensuring it sits underneath the sway bar mounts, against the chassis as pictured. Use a provided M12 bolts and Nord-Lock washers and loosely tighten. This should hold the point in place for the remainder of the install.
3. Loosely install the lower front mount using an M12 bolt and Nord-Lock washer.
4. Loosely install the top mounts with the provided M10 bolts and DIN washer. Ensure the Recovery Point is sandwiched between the chassis and the sway bar.
5. Tighten all bolts. The M12 should be torqued to 126Nm, and M10 68Nm.
6. If desired, trim the factory mud flap by 5-10mm. Reinstall the factory splash guards using the original clips.
7. Apply supplied warning sticker to chassis, adjacent to the point.
8. Repeat for the other side.
9. Stand back, admire your pride and joy and thank yourself for having such great taste in Recovery Points... if we do say so ourselves.



WARNING

This product must be installed exactly as per these fitting instructions and using only the components supplied. Do not use this Recovery Tow Point for any vehicle make or model other than the one intended and specified by KAON. Do not alter or modify the Recovery Tow Point in any way. Doing so may compromise the points strength and integrity.

Ensure the warning label is affixed adjacent to the recovery point, and do not remove the label for any reason. Ensure that fasteners are tightened to specified torque.

Whenever venturing off-road or on an annual service basis, KAON recommends a thorough inspection of the Recovery Tow Point. It is advised that all components are checked and tightened to the specified torque, and any components are replaced as necessary.



Local Knowledge & Assistance

We know half the fun of building your dream 4x4 is getting your hands dirty. But we also know that sometimes, things don't go to plan. If in the pursuit to build the ultimate setup you find yourself off-track, we're here to help you get unstuck.

For further information call 07 3180 1470 or email info@kaon.com.au

Disclaimer: The products sold by KAON should not be modified, and are for use only on the vehicles specifically stated. KAON will not be liable for any damages arising out of the use or misuse of it's products. It is the customers responsibility to ensure the products are safely and properly used and installed. KAON consistently seeks to improve it's products and reserves the right to make changes to any product.