



Your 4x4 Accessory Adventure Partner.

FITTING INSTRUCTIONS

SB1-MIT-02

BULLBAR

MITSUBISHI TRITON 2009-2013

Insert vehicle image if available

All EFS Bull bars have been tested and are airbag & ADR compliant.
ANY MODIFICATIONS TO THE bull bar or its mounts WILL VOID THIS
COMPLIANCY And warranty

BEFORE INSTALLATION

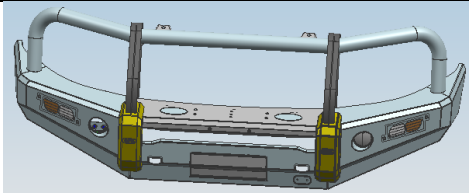
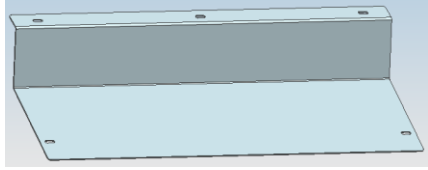
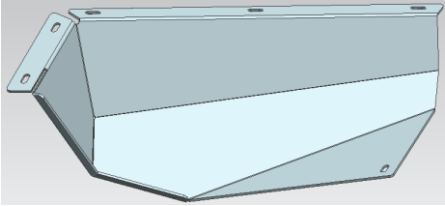
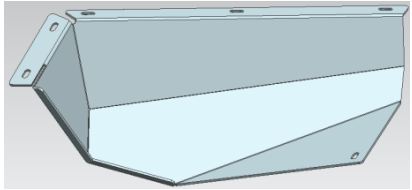
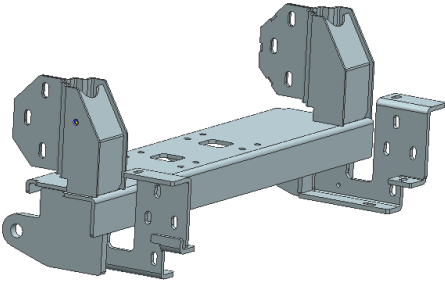
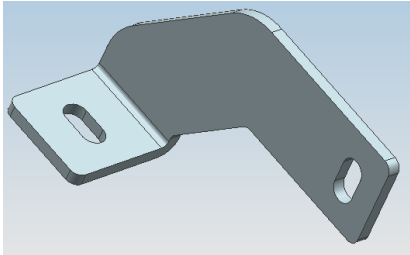
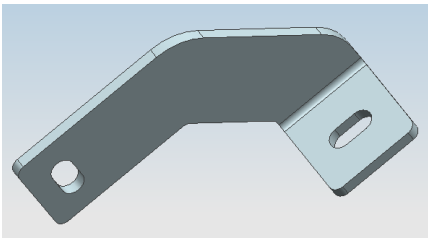
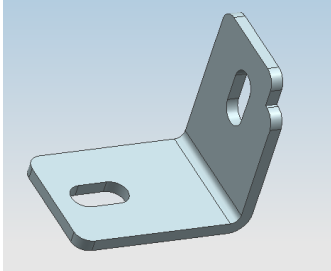
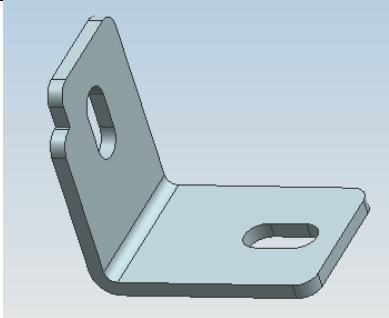
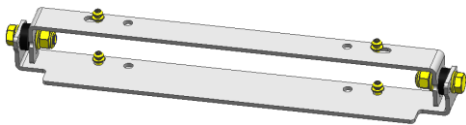
- Please read the instructions completely before installing. This will allow for easy installation and help to avoid scratches or other potential damages to the vehicle.
- images are for reference only and may differ slightly from the actual product you are installing. Whilst images may differ, they share the same assembly instructions.

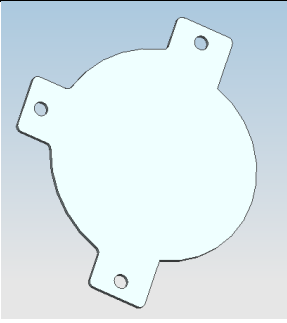
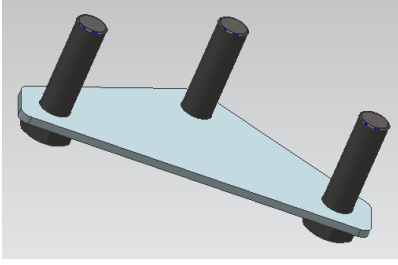

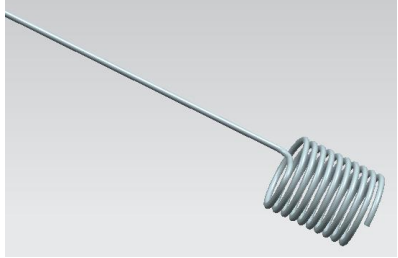
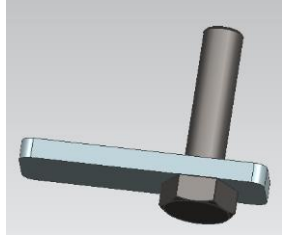

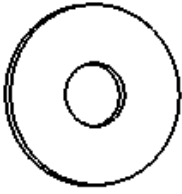
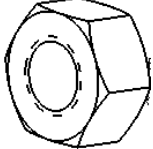
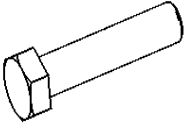

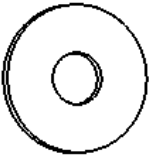
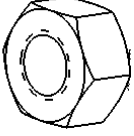
CARE & CLEANING

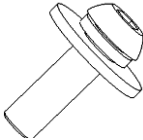
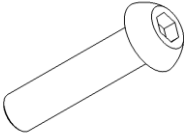


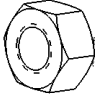
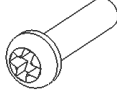
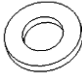



- Mild soap may be used to clean the bull bar.
- Check and retighten all the hardware regularly.

It is a condition of our warranty that Bullbar / Rearbars & Side rails / steps are installed by a suitably qualified installer. And is installed in accordance with accompanying installation instructions provided with item.

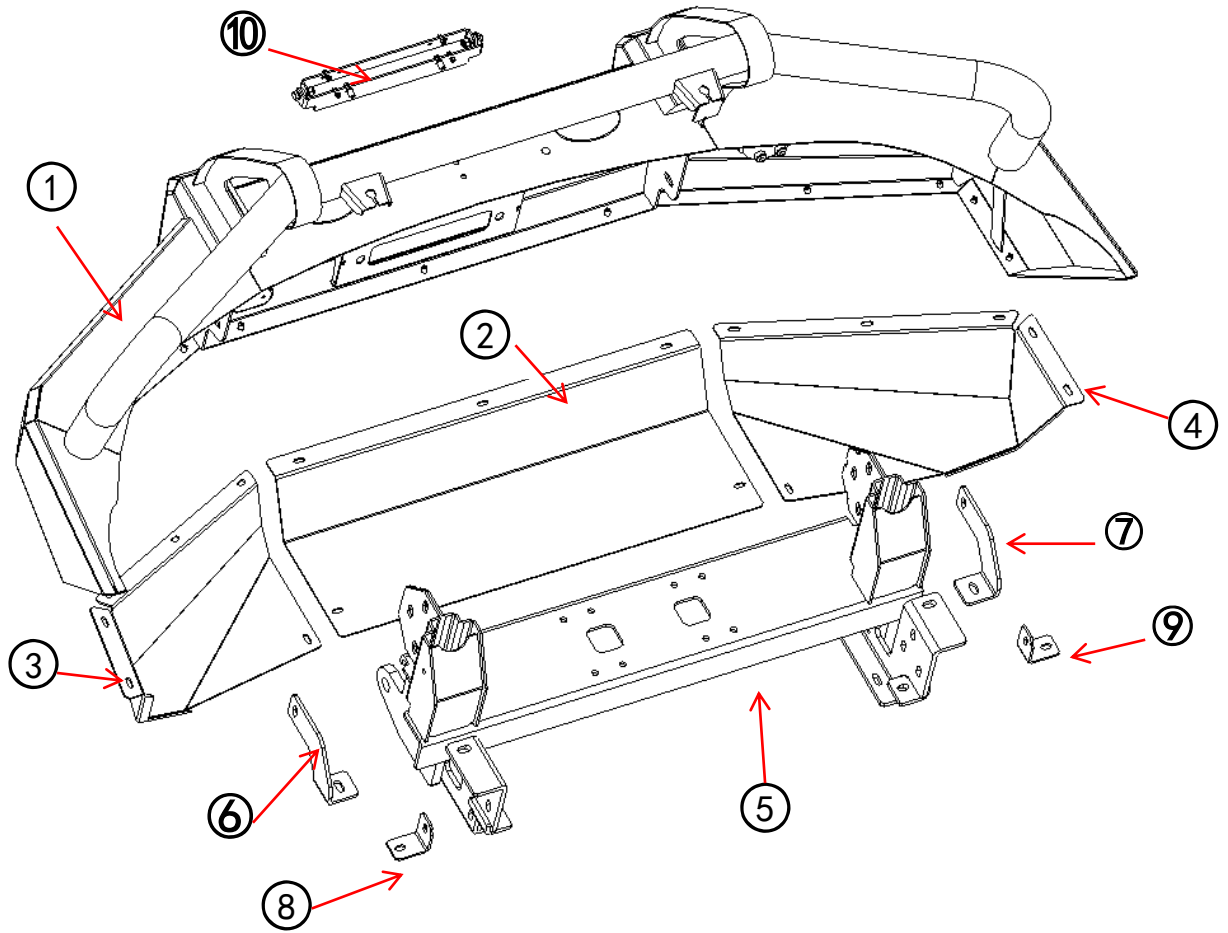
PARTS LIST

NO.	QTY	NAME	NO.	QTY	NAME
1	1	 Main bull bar Assembly	2	1	 Central Skid plate
3	1	 Skid plate (L)	4	1	 Skid plate (R)
5	1	 Winch Frame	6	1	 Bracket 1 (L)
7	1	 Bracket 1 (R)	8	1	 Bracket 2 (L)
9	1	 Bracket 2 (R)	10	1	 License bracket

11	2		12	2	
		Fog light cover			Bolt plate M10
13	2		14	2	
		U bolt M10			M10 Coiled Spring
15	4		16	6	
		T bolt M10			Spring washer D12
17	6		18	6	
		Large Washer D12			1 Nut M12
19	6		20	14	
		Hex Bolt M10_35			Spring washer D10
21	16		22	16	
		Large Washer D10			1 Nut M10

23	17	 Bolt washer assembly M6_20	24	2	 Inner hex bolt M6_25
25	2	 Spring washer D6	26	6	 Large Washer D6
27	4	 1 Nut M6	28	4	 Cross bolt M4_16
29	8	 Flat Washer D4	30	4	 1 Nut M4
31	1	 Wrench S=4	32	1	 Rubber Strip (2400M)

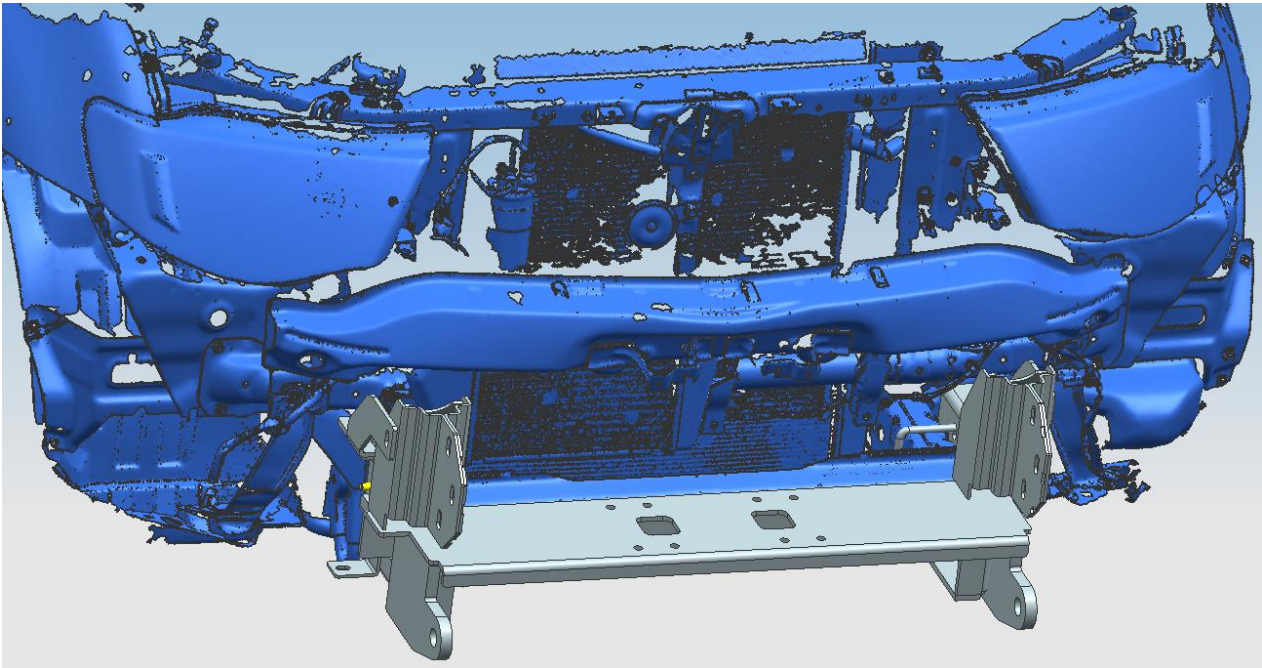
INSTALLATION FIGURE

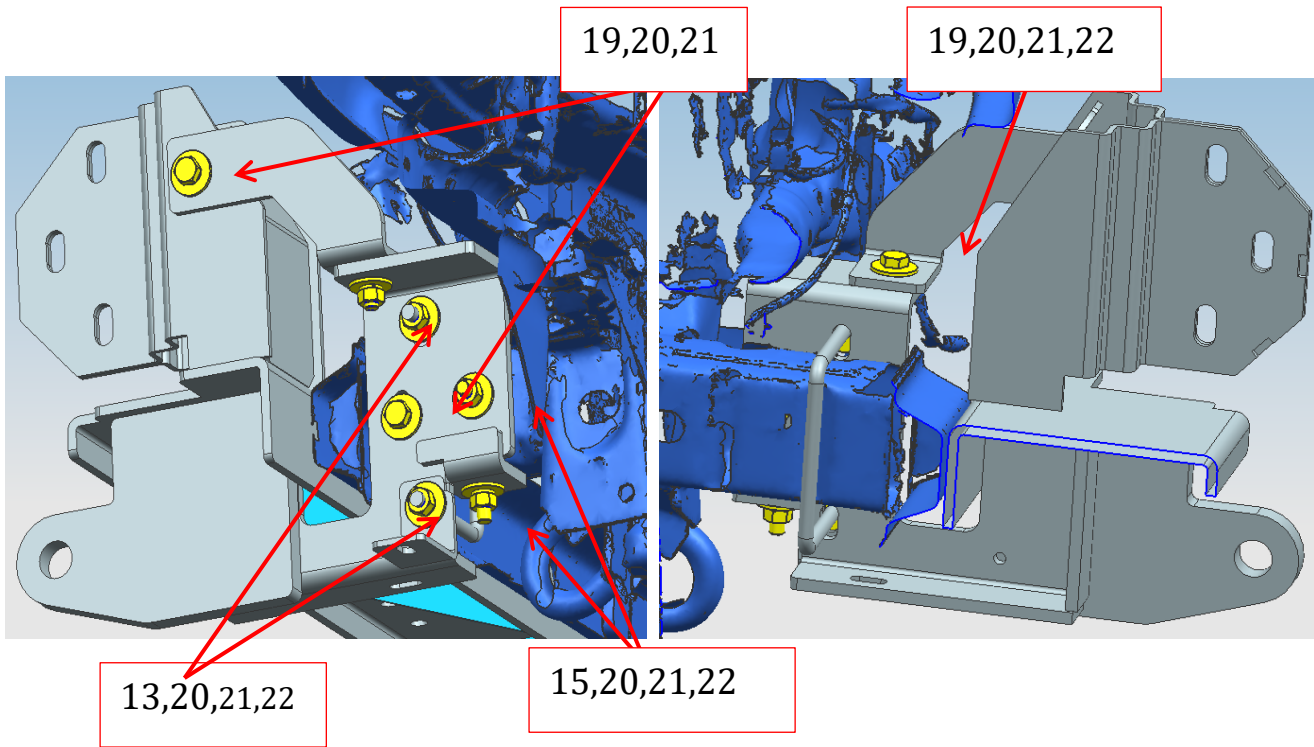


FITTING INSTRUCTIONS

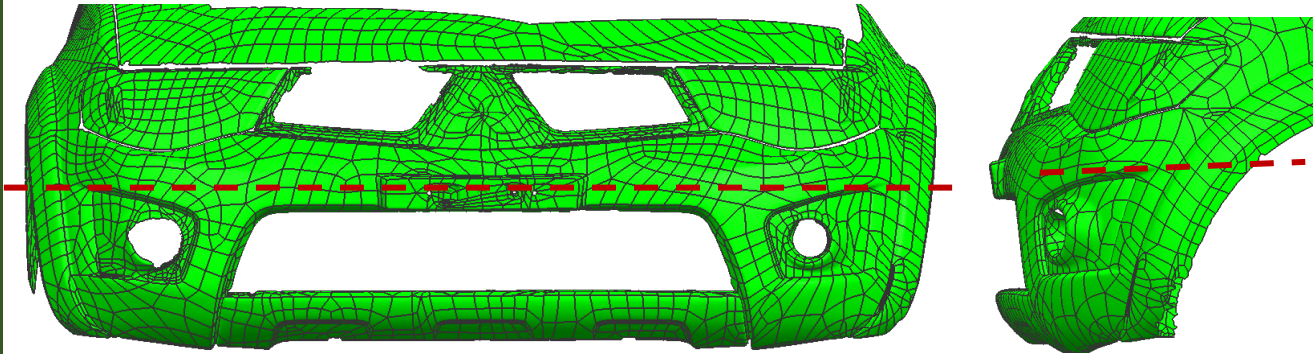


Step 1: Verify that all parts are present according to the manual. Remove the original front bumper and beam.
Step 2: install 5 winch frame and parts 6 Bracket 1(L) 7 Bracket 1(R) 8 Bracket 2(L) 9 Bracket 2(R) at the chassis according to the below figure shown, Connect 15 T bolt M10 with 14 M10 Coiled Spring through the bottom mounting hole of the chassis

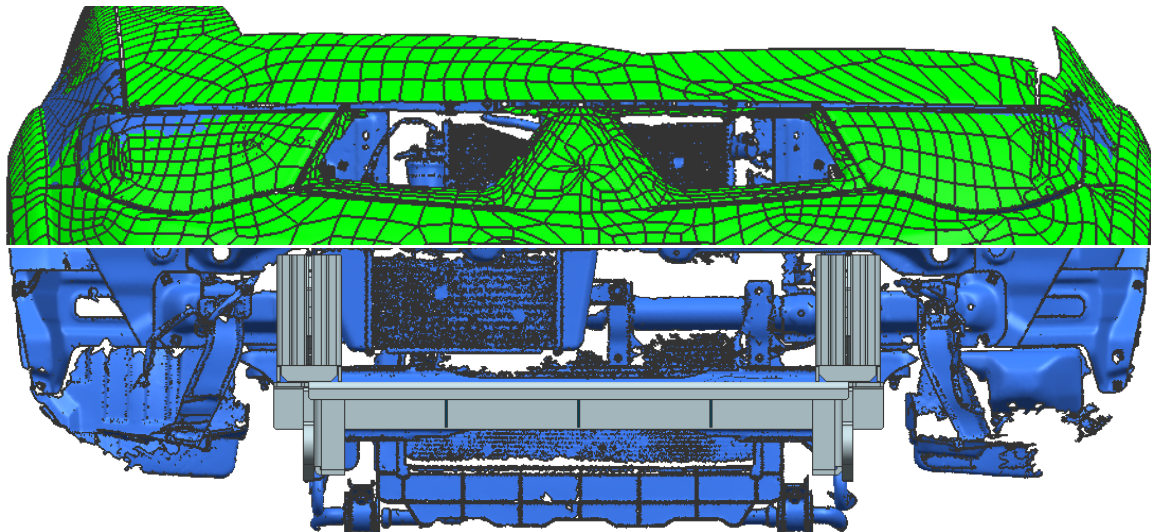




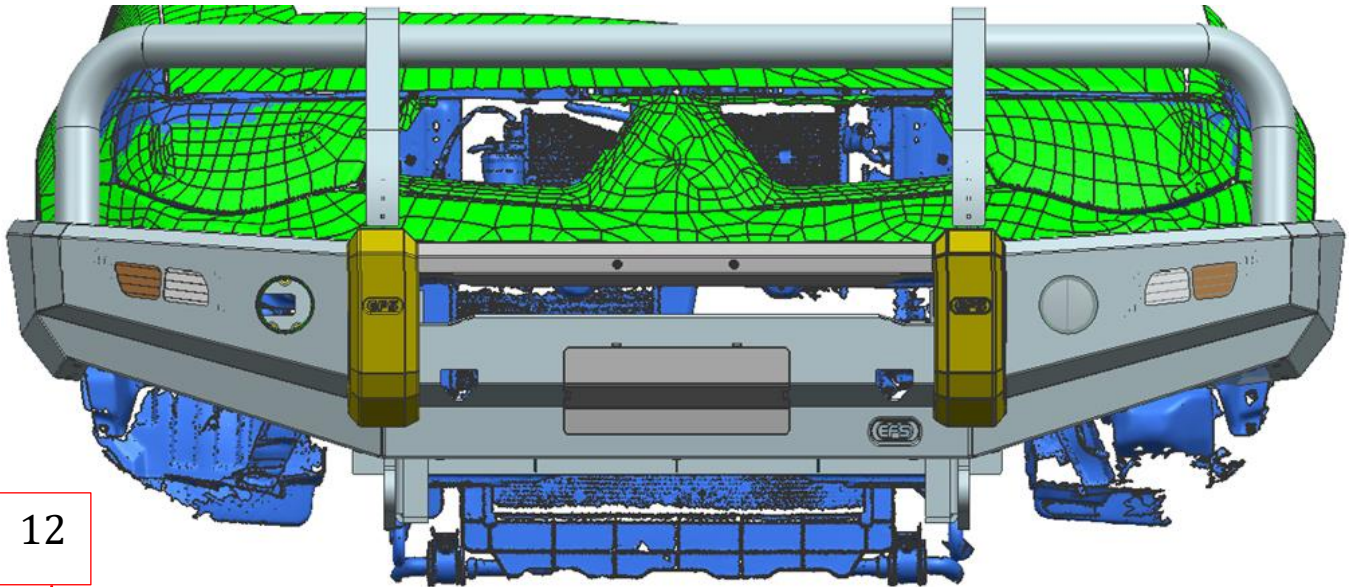
Step 3: Cut the front grille and protector. Cut the front grille from below line. Cut the protector according to the located paper as below pictures shown.



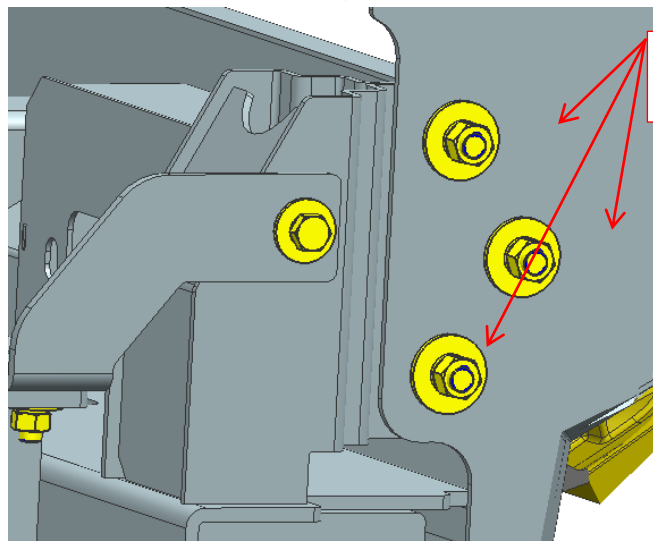
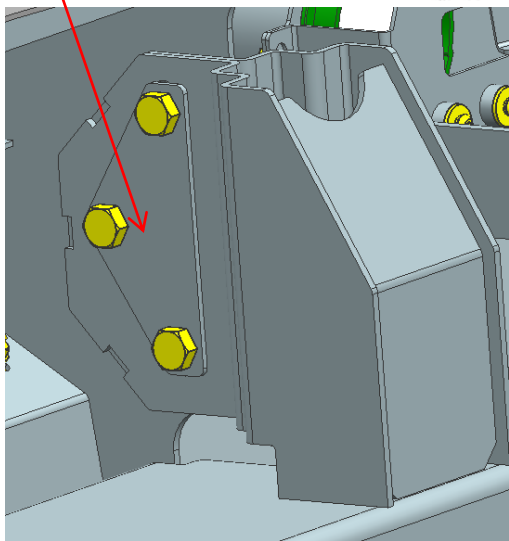
Step 4: Install the cut front grille and protector to the vehicle.



Step 5: Install the bull bar to the winch frame with spare parts 12,16,17,18



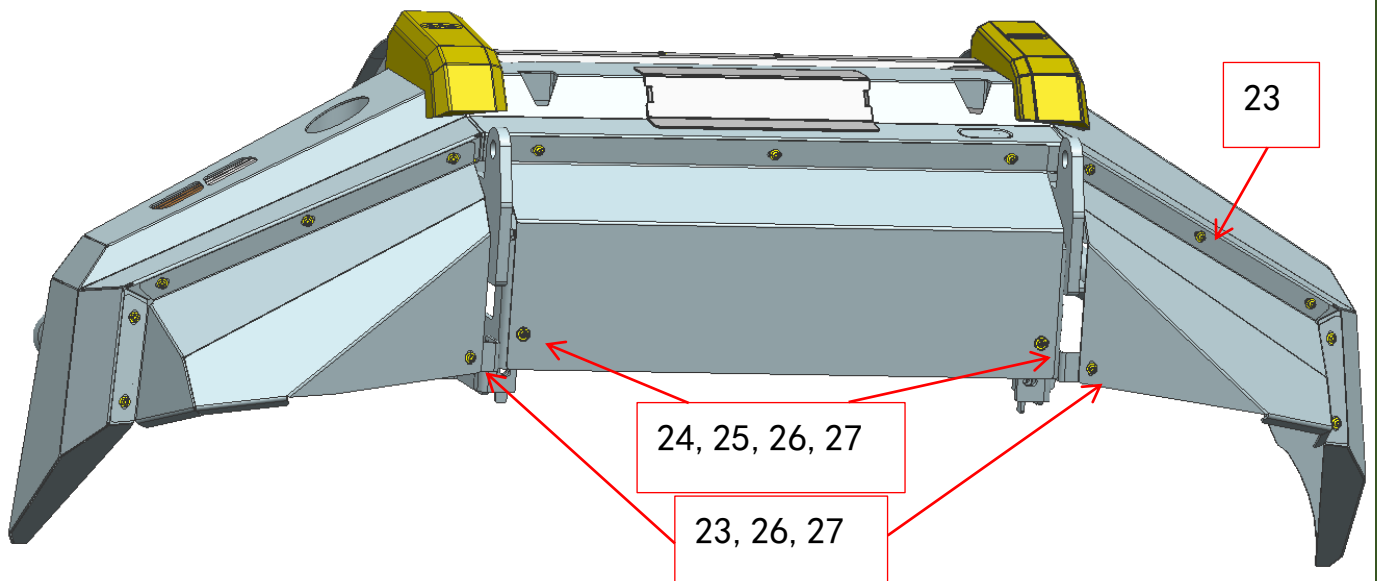
12



16,17,18

Step 6: Install the skid plate. Connect 2,3,4 to the bull bar with spare parts 23.

For the bottom fitment please use parts 24,25,26,27 or 23,26,27



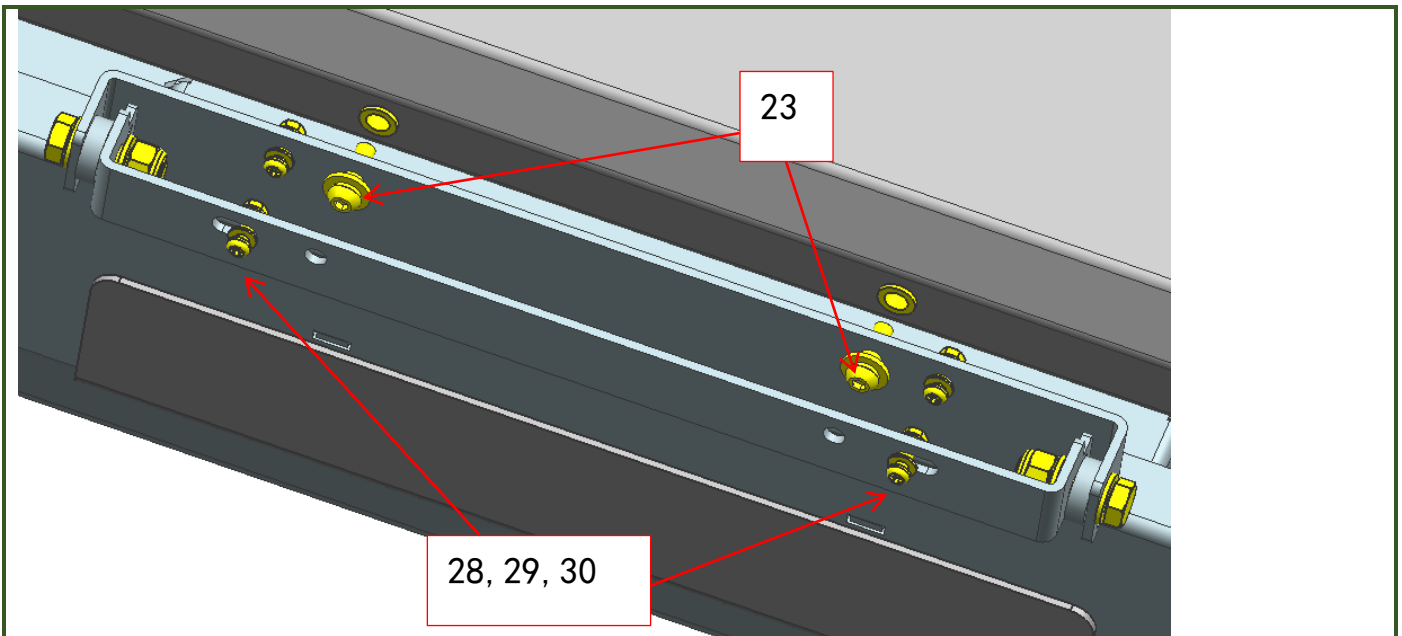
23

24, 25, 26, 27

23, 26, 27

Step 7: License bracket installation as below figure shown.





Step8: Test and make sure that the guard is steadily fixed, fully tighten all hardware.

Step 9: Installation is finished, pick up all tools.

Test and make sure all parts are securely fitted. Ensure all nuts & bolts are tightened.

This completes the installation of your EFS Bull Bar

NOTE

Any damages or loss caused by the improper installation and use of EFS Accessories will not be covered by warranty.

Please ensure you leave sufficient spacing between bullbar and guards